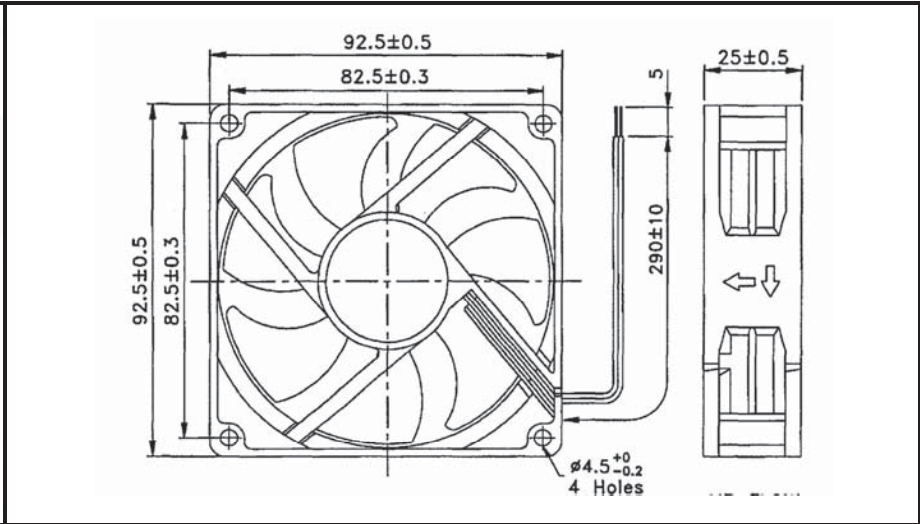


OD9225 Series



DC Fan - 12V & 24V
92x25 (3.62"x 1.00")



Frame & Impeller	PBT, UL94V-O plastic	Available Options: Tachometer (FG) Alarm (RD) Thermal Control Sleeve Bearing 05V Extra Low Speed (LL) Life Expectancy (L10) Ball Bearing 60,000 hours (L10 at 40C) Operating Temperature Ball Bearing -20C ~ +80C	
Connection	2x Lead wires		
Motor	Brushless DC, auto restart, polarity protected		
Bearing System	Dual Ball		
Insulation Resistance	10M ohm between leadwire and frame (500VDC)		
Dielectric Strength	1 second at 500 VAC, max leakage - 500 MicroAmp		
Storage Temperature	-30C ~ +90C		

Model Number	Speed (RPM)	Airflow (CFM)	Noise (dB)	Volts DC	Voltage Range	Amps	Max. Static Pressure ("H2O)
OD9225-12HHB	3300	60	40	12	7~17	0.29	0.17
OD9225-12HB	2900	53	35	12	7~17	0.25	0.13
OD9225-12MB	2400	44	31	12	7~17	0.17	0.09
OD9225-12LB	2100	39	28	12	7~17	0.13	0.07
OD9225-24HB	2900	53	35	24	12~28	0.15	0.13
OD9225-24MB	2400	44	31	24	12~28	0.12	0.09
OD9225-24LB	2100	39	28	24	12~28	0.08	0.07
OD9225-48HB	2800	50	33	48	32~56	0.09	0.24